

Diaphragm-Type Chemical Seals

For Food, Biochemical and Pharmaceutical Industry
for VARIVENT® In-Line Access Unit • Model 990.24

Chemical Seals

Service intended

Chemical seal to combine with bourdon tube pressure gauges or transmitters.

Process connection

Chemical seal for VARIVENT® In-Line Access Unit

Pressure rating

PN 25 bar maximum
Observe the permissible pressure for the In-Line Access Unit

Suitable pressure ranges

0 ... 1 to 0 ... 25 bar

Standard features

Process connection

Stainless steel 1.4435,
Form F (mounting diameter 50 mm)
for pipe DN 25 and 1"
Form N (mounting diameter 68 mm)
for pipe DN 40 - DN 125 and 1½" - 4"

Diaphragm

Stainless steel 1.4435, welded with upper body

Instrument connection

Stainless steel 1.4435, axial weld-in connection

Filling liquid

KN 7 glycerine, FDA approval

Optional extras

Diaphragm

- Stainless steel 1.4435, electropolished

Instrument connection

- Assembly via cooling tower
- Assembly via capillary extension

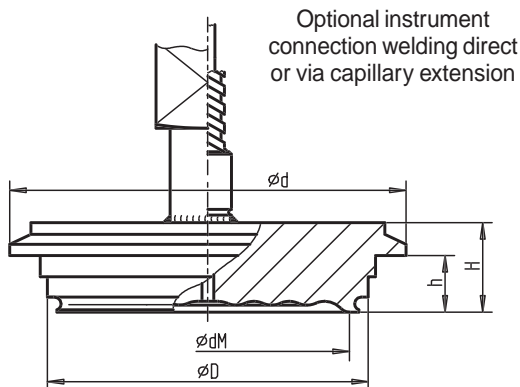
Filling liquid

KN 62 paraffin oil, FDA approval



Diaphragm-type chemical seal Model 990.24
with pressure gauge, stainless steel series Model 232.50.100

Dimensions
Standard version



2327 516.01

Access Unit connection	Dimensions [mm]					Weight [kg]
	D	d _M	d	H	h	
Form F	50	40	66	19	12.3	0.33
Form N	68	60	84	19	12.3	0.58

Ordering information chemical seal Model 990.24 for VARIVENT® In-Line Access Unit

Field No.	Code	Chemical seal features
Mounting diameter		
1	K	50 mm (form F) <i>for pipe DN 25, 1"</i>
	S	68 mm (form N) <i>for pipe DN 40 - DN 125, 1½" - 4"</i>
Material of wetted parts		
2	A2	stainless steel 1.4435 <i>standard</i>
	B2	stainless steel 1.4435 electropolished
Assembly		
3	D1	direct assembly <i>standard</i>
	G1	via cooling tower
	K1	via 1 m capillary
	K2	via 1.6 m capillary
	K3	via 2.5 m capillary
	??	other <i>Please state as additional text</i>
Filling liquid		
4	F1	KN 7 glycerine <i>FDA approval standard</i>
	J1	KN 62 paraffin oil <i>FDA approval</i>
Additional features and accessories		
5	ZZ	without <i>standard</i>
	KA	PE protective sleeving for capillary extension
	KB	mounting brackets, 100 mm, aluminium black <i>only with mounting via capillary extension</i>
additional order info		
6	YES	NO
	T	Z

Order code for Model 990.24

M990.24 -

1	2	3	4	5	6

 -

The following is required when ordering complete measuring systems; the order code for pressure gauge, chemical seal and process conditions according to chemical seal questionnaire.

Additional text: _____



INGENIEROS ASOCIADOS DE CONTROL S.L.
Telf.: 913831390
comercial@iac-sl.es