

Bourdon Tube Pressure Gauges

Plastic Case with Liquid Filling • Model 113.13

Pressure Gauges

Service intended

For adverse service conditions where pulsation or vibration exists.
For all gaseous and liquid media that will not obstruct the pressure system or attack copper alloy parts.

Design

EN 837-1

Nominal size

40, 50 and 63 mm

Accuracy class per EN 837-1 /6

40, 50 and 63 mm: 2.5

Scale ranges per EN 837-1 /5

0 ... 1 to 0 ... 400 bar
or other equivalent units of pressure or vacuum.

Working pressure

Steady: $\frac{3}{4}$ x full scale value
Fluctuating: $\frac{1}{3}$ x full scale value
Short time: full scale value

Operating temperature

Ambient: -20 ... +60 °C
Medium: +60 °C maximum

Temperature effect

When temperature of the pressure element deviates from reference temperature (+20 °C):
max. ± 0.4 %/10 K of the span.

Degree of protection

IP 65 per EN 60 529 / IEC 529

Standard features

Pressure connection

Material: Cu-alloy
Threaded entry (radial or back) per EN 837-1 /7.3
40 mm: G $\frac{1}{8}$ B, 12 mm flats (back entry only)
50 and 63 mm: G $\frac{1}{4}$ B, 14 mm flats

Pressure element

Material: Cu-alloy
 ≤ 40 bar C-type
 > 40 bar helical type

Movement

Material: Cu-alloy

Dial

White plastic, with pointer stop pin
With black lettering



Pointer

Black plastic

Case

Black plastic, with integral panel ring
(40 mm: without integral panel ring)
O-ring seal between case and entry stem
Ranges ≤ 6 bar with compensating valve to vent case

Window

clear plastic, welded to case

Liquid filling

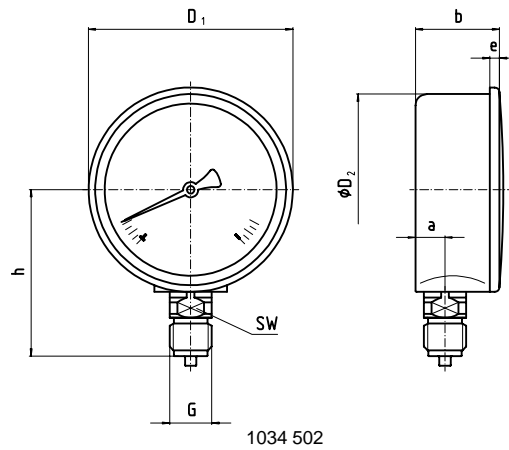
Glycerine 99.7%

Optional extras

- Other pressure connections
- Panel mounting clamp
- Case with integral panel ring, 40 mm
- Stainless steel clip-on bezel, 63 mm
- 3-hole panel mounting flange, 50 and 63 mm

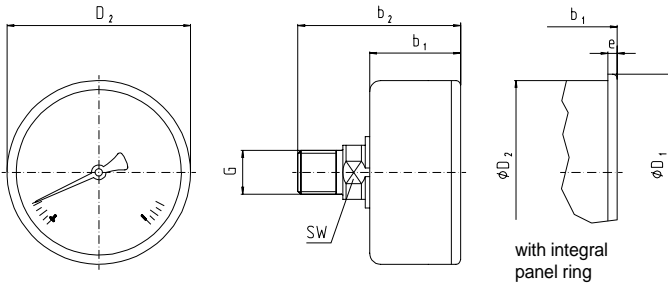
Dimensions
Standard version

Radial bottom pressure connection

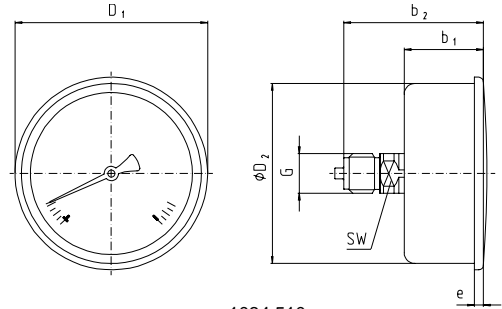


Centre back pressure connection

Nominal size 40 mm



Nominal size 50 and 63 mm



Nominal size	Dimensions [mm]										Weight [kg]
	a	b	b ₁	b ₂	D ₁	D ₂	e	G	h ± 1	SW	
40	-	-	27	42.5	44.5 ¹⁾	41	5 ¹⁾	G 1/8 B	-	12	0.13
50	11.5	27	29.5	53	55	51	5	G 1/4 B	48	14	0.17
63	11.5	27	29.5	53	68	63	5	G 1/4 B	54	14	0.21

Standard pressure entry with parallel thread and seating to EN 837-1 / 7.3

¹⁾ With integral panel ring. Specify with order.

Ordering information

State:
 Pressure gauge model / Nominal size / Scale range / Size and location of connection / Optional extras required



INGENIEROS ASOCIADOS DE CONTROL S.L.
 Telf.: 91 383 1390
 comercial@iac-sl.es