

CleanStar A933 Retractable Housing

Features

- Manual or Pneumatic Operation
- Pneumatic or Electronic Position Switches
- Steam Sterilizable
- Finished Surfaces to $R_a = 0.5 \mu\text{m}$
- Available in 316 Stainless Steel or Hastelloy C
- Choice of Process Connections
- 25mm Tank, 2 inch Tri-clamp, 1 inch MNPT or 2 inch ANSI Flange

Applications

- Fermentation Vessels
- Pharmaceutical & Biotech
- Food Processing Lines and Vessels
- Chemical Processes

Description

The **Model A933 CleanStar Retractable Housing** is designed for use with industry standard 12mm x 120mm combination pH sensors, Conductivity or Dissolved Oxygen sensors utilizing a Pg 13.5 gland fitting. The housing features a choice of manual or pneumatic operation. Pneumatic or electronic position indicators are available to notify operators and provide a signal to the DCS to indicate if the sensor is in the measure or service position. The pneumatic position indicators are 3/2 way valves. Air consumption is held to a minimum, a continuous air supply is not required.

CleanStar housings provide an alternative to ball valve installations where routine maintenance of a sensor typically involves loosening compression fittings, which may have the tendency to leak. The CleanStar housing isolates the sensor from the process on retraction with O-Ring seals reducing the potential for process leakage. In the service position, the sensor is easily removed for routine maintenance. Rinse ports are available to provide water or chemical cleaning of the sensor assembly.

Specifications

Body Material	316 SS or Hastelloy C4
O-Rings	Viton®, EPDM or Kalrez®
Temperature Range	0 to 90°C (32 to 194°F) (PA Version) 0 to 140°C (32 to 284°F) (SG Version)
Pressure Range	Manual Operation 0 to 4 bar (58 psi) Pneumatic Operation (PA Version) 0 to 6 bar (87 psi) Pneumatic Operation (SG Version) 0 to 10 bar (145 psi)
Pneumatic Requirements	Filtered Instrument Air (40µm) Oil and Water free
Pneumatic Connections	¼" Tube Compression Fittings
Weight	2.5kg (5.5 lbs.)
Recommended pH Electrode	GT-DJ with TOP68 Quick Disconnect
Recommended DO Electrode	12mm DO2 with TOP68 Quick Disconnect

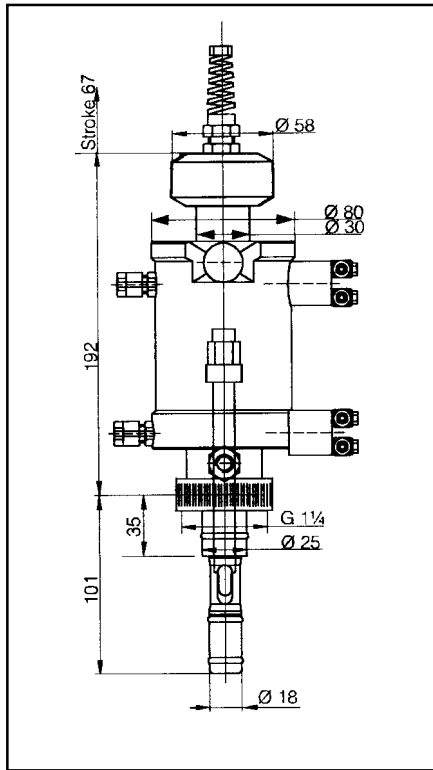


INGENIEROS ASOCIADOS DE CONTROL S.L.

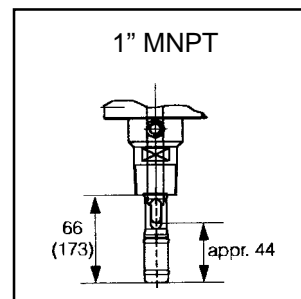
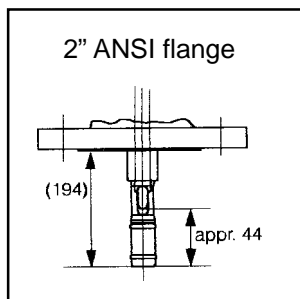
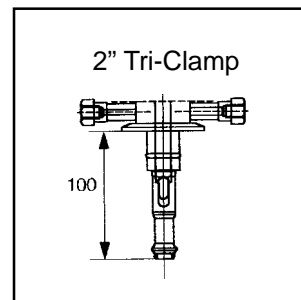
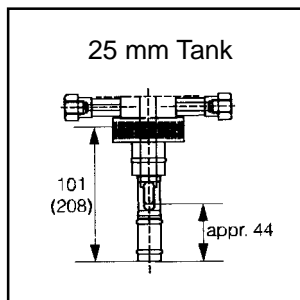
Tel.: 913831390
comercial@iac-sl.es

CleanStar A933 Retractable Housing

Outline and Mounting Dimensions (in mm)

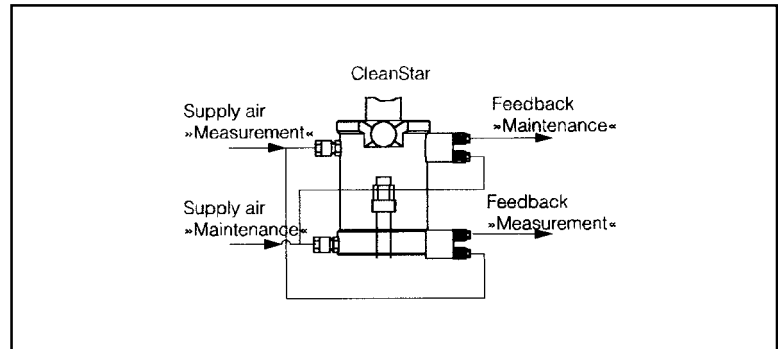


Process Connections



CleanStar A933 Retractable Housing

Optional Pneumatic Connections

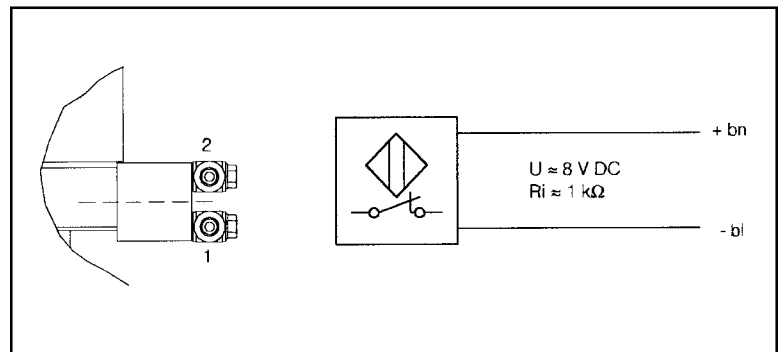


The CleanStar A933 Retractable Housing is operated with an air pressure of 4 to 6 bar (58 to 87 psi). The air must be filtered (40 μm) and free from water and oil. There is no continuous pressure demand. The air lines must have a minimum nominal diameter of 4 mm for the pneumatic position Indicators.

Note:

If pressure increases to above 6 bar (87 psi) are likely (including short peak pressures), a pressure reducer must be installed.

Optional Position Indicators



The lower limit switches are always used for the “Measurement” function, the upper switches for the “Maintenance” function.



CleanStar A933 Retractable Housing

Ordering Information

The CleanStar A933 Retractable Sensor Housing is designed for industry standard 12mm diameter x 120mm long pH, Conductivity or Dissolved Oxygen sensors with Pg13.5 gland fittings such as the TOP68 quick disconnect gland fitting. The CleanStar housing permits convenient removal of the sensors for routine maintenance and calibration. The housing is available in 316 stainless steel or Hastelloy C construction with a choice of process connections.

Model	Description
A933	Retractable Sensor Housing
Code	Operation
0	Manual Operation
1	Pneumatic Operation
3	Pneumatic Operation with Pneumatic Limit Switches
5	Pneumatic Operation with Electronic Limit Switches
Code	Application
G	General Purpose Use (PA Cylinder)
SG	Steam Sterilizable Use (includes Stainless Steel Cylinder)
Code	Material of Construction
8	Stainless Steel Construction
9	Hastelloy C Construction
Code	O-Rings
E	EPDM O-Rings
F	Viton® O-Rings
K	Kalrez® O-Rings
Code	Process Connections
1	1.0 " MNPT Process Connections
2	25mm Tank Fitting
3	2 inch ANSI Flange
6	2.0" Tri-clamp
Code	Rinse Connections
N	¼" NPT Rinsing Connections
Y	Without Rinsing Connections
A933 – 5 – G – 8 – F – 6 – N	Order Number Example

