

Bourdon Tube Pressure Gauges

Solid-Front Turret Style Process Gauges • Model 232.34

Pressure Gauges

Service intended

Solid front, blow-out back case design meets safety requirements of ASME B 40.1.

Stainless steel pressure gauge with phenolic resin case.

Suitable for corrosive environments and gaseous or liquid media that will not obstruct the pressure system.

Design

Solidfront gauge to ASME B 40.1

Nominal size

4 ½ in. (dial size)

Accuracy class

± 0.5% of span (ASME B 40.1 Grade 2A)

Scale ranges

0 ... 10 psi to 0 ... 30,000 psi (0 ... 0.6 bar to 0 ... 2000 bar) or other equivalent units of pressure or vacuum

Working pressure

Steady: full scale value

Fluctuating: 0.9 x full scale value

Short time: 1.3 x full scale value

Operating temperature

Ambient: -40 ... +65 °C

Medium: +100 °C maximum

Temperature effect

When temperature of the pressure element deviates from reference temperature (+20 °C):

max. ±0.4%/10 K of true scale value

Ingress protection

IP 54 per EN 60529 / IEC 529

Standard features

Pressure connection

Material: stainless steel AISI 316 Ti (1.4571)

Threaded entry (radial or back)

½ NPT to ANSI B 1.20.1, 22 mm flats

Pressure element

Material: stainless steel AISI 316 Ti (1.4571)

<100 bar: C-type

≥100 bar: Helical type

Movement

Stainless steel

Dial

White aluminium with black lettering, stop pin at 6 o'clock



Pointer

Adjustable black aluminium pointer

Case

Black PBTP

Solid front safety pattern case with integral baffle wall and blow-out back

Integral surface mounting provisions

Window

Acrylic with threaded retainer ring

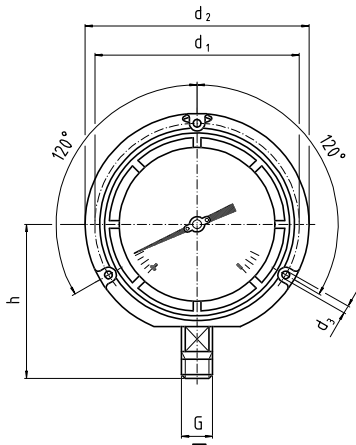
Optional extras

- Other pressure connection
- Laminated safety glass window
- Cu-alloy pressure system (**model 212.34**)
- Monel pressure system (**model 262.34**)
- Liquid filling (**model 2x3.34**)
- Alarm contacts (see data sheet AE 08.01)

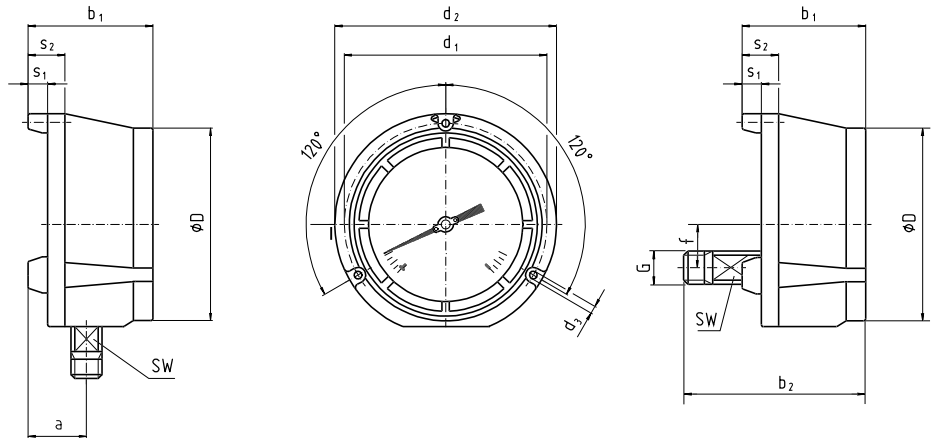
Dimensions

Standard version

Radial bottom pressure entry (lower mount - LM)



Lower back pressure entry (lower back mount - LBM)



1034 855.01

Nominal size	Dimensions [mm]													Weight [kg]
	a	b ₁	b ₂	D	d ₁	d ₂	d ₃	f	G	h ± 1	s ₁	s ₂	SW	
4 ½ in.	40	84	120	128	136.5	148	6.3	28.5	½ NPT	103	12.5	25	22	1.36

Standard pressure entry with tapered thread ½ NPT. Others available upon request.

Ordering information

State:

Pressure gauge model / Nominal size / Scale range / Size and location of connection / Optional extras required



INGENIEROS ASOCIADOS DE CONTROL S.L.

Tel.: 91 3831390
comercial@iac-sl.es