

Positive Displacement Flow Fitting for Indicators, Sensors, Switches, Transmitters and Controllers

Flow - ON/OFF
Continuous & Batch Control



S070

Positive Displacement Fitting

Picture showing Fitting Type S070 Stainless Steel with Sensor Electronic SE32

This positive displacement fitting is specially designed for highly viscous fluids like glue, honey or oil.

The connection to the electronic SE30, SE32, SE35 and SE35 batch with hall sensor is done with the „easy to connect“ quarter-turn technique.

Process Specification

Process connections

- Threaded
- Flanged

- 1/2" up to 1 1/2" (G or NPT)
- 40mm or 50mm DIN 2501 PN16
- 1 1/2" or 2" ANSI 150 LB

Flow rate

>5 cps

- 1 up to 350 l/min
(0.26 up to 93 gpm)

<5 cps

- 3 up to 300 l/min
(6.6 up to 79 gpm)

Accuracy

±0.5% (of reading)

Material of wetted parts

Rotor

- Stainless steel 316 / 1.4401
- PPS

Shaft

- Stainless steel 316 / 1.4401
- Hastalloy C

Gasket

Body

- FPM (EPDM or PTFE on request)
- Aluminum
- Stainless Steel 316 / 1.4401
- PPS

Max. viscosity

1000 mPa s (cP)
(higher viscosity version on request)

Environment Specifications

Enclosure

IP66 (NEMA 6)

Fluid temperature (max.)

Aluminum body

80°C (176°F)

Stainless Steel body

120°C (248°F)

PPS body

80°C (176°F)

Ambient temperature range

0 up to +60°C (32 up to 140°F)

Fluid pressure (max.)

Aluminum body

55 bar (800 psi)

Stainless Steel body

55 bar (800 psi)

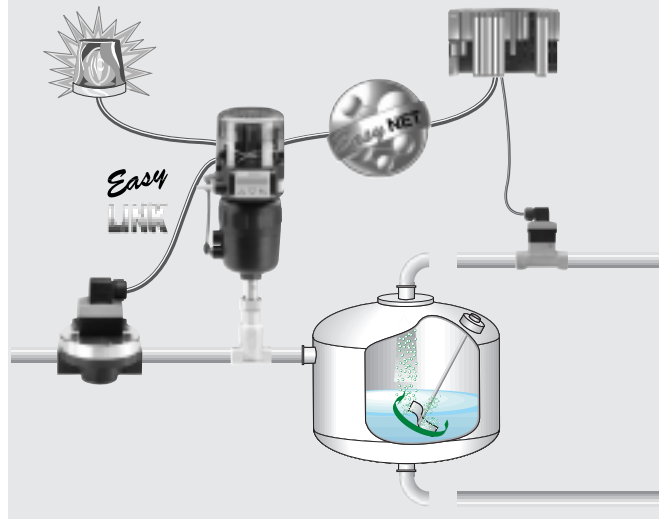
PPS body

10 bar (150 psi)

- ✓ For highly viscous fluids
- ✓ **INLINE Quarter-Turn Technology**
- ✓ **Electronics available for:**
 - Indication
 - Monitoring
 - Transmitting
 - **ON/OFF control**
 - **Batch control**

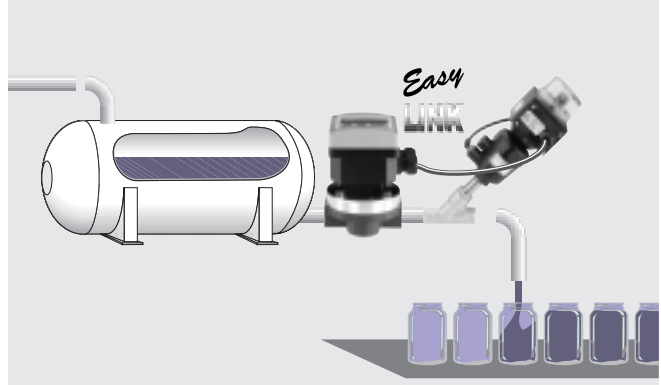
Application Example: Dosing

Easy Continuous Control using flow sensor and globe valve with TOP Control HEAD



Application Example: Batching

Easy ON/OFF Control using batch controller and angle seat valve with Mini TOP Control HEAD



INGENIEROS ASOCIADOS DE CONTROL S.L.
Tel: 913831390
comercial@iac-sl.es

Positive Displacement Flow Fitting for Indicators, Sensors, Switches, Transmitters and Controllers

Specifications - Ordering Chart (Other Versions on Request) for Fitting Type S070

Aluminum Fitting Type S070 - Worldwide

Orifice DN [mm]	Process connection	Flow rate - range		Body material	Rotor material	Shaft material	Gasket material	Item-No.
		>5 mPa s (cP) [l/min]	<5 mPa s (cP) [l/min]					
15	G 1/2"	1 – 30	3 – 25	Aluminum	PPS	SSt 316 / 1.4401	FPM	443 985 J
25	G 1"	6 – 120	10 – 100	Aluminum	PPS	SSt 316 / 1.4401	FPM	443 986 K
40	G 1 1/2"	10 – 250	15 – 235	Aluminum	PPS	SSt 316 / 1.4401	FPM	443 987 L
40	40 mm DIN 16 flange	10 – 250	15 – 235	Aluminum	PPS	SSt 316 / 1.4401	FPM	443 988 V
50	50 mm DIN 16 flange	15 – 350	33 – 300	Aluminum	PPS	SSt 316 / 1.4401	FPM	443 989 W

Stainless Steel Fitting Type S070 - Worldwide

Orifice DN [mm]	Process connection	Flow rate - range		Body material	Rotor material	Shaft material	Gasket material	Item-No.
		>5 mPa s (cP) [l/min]	<5 mPa s (cP) [l/min]					
15	G 1/2"	1 – 30	3 – 25	SSt 316 / 1.4401	SSt 316 / 1.4401	SSt 316 / 1.4401	FPM	443 990 T
25	G 1"	6 – 120	10 – 100	SSt 316 / 1.4401	SSt 316 / 1.4401	SSt 316 / 1.4401	FPM	443 991 Q
40	G 1 1/2"	10 – 250	15 – 235	SSt 316 / 1.4401	SSt 316 / 1.4401	SSt 316 / 1.4401	FPM	443 992 R
40	40 mm DIN 16 flange	10 – 250	15 – 235	SSt 316 / 1.4401	SSt 316 / 1.4401	SSt 316 / 1.4401	FPM	443 993 J
50	50 mm DIN 16 flange	15 – 350	33 – 300	SSt 316 / 1.4401	SSt 316 / 1.4401	SSt 316 / 1.4401	FPM	443 994 K

PPS Fitting Type S070 - Worldwide

Orifice DN [mm]	Process connection	Flow rate - range		Body material	Rotor material	Shaft material	Gasket material	Item-No.
		>5 mPa s (cP) [l/min]	<5 mPa s (cP) [l/min]					
25	G 1"	3 – 80	8 – 70	PPS	PPS	Hastalloy C	FPM	448 661 R

Aluminum Fitting Type S070 - North America

Orifice DN [mm]	Process connection	Flow rate - range		Body material	Rotor material	Shaft material	Gasket material	Item-No.
		>5 mPa s (cP) [gpm]	<5 mPa s (cP) [gpm]					
15	NPT 1/2"	0.26 – 8.00	0.80 – 6.60	Aluminum	PPS	SSt 316 / 1.4401	FPM	443 995 L
25	NPT 1"	1.60 – 32.00	2.60 – 26.00	Aluminum	PPS	SSt 316 / 1.4401	FPM	443 996 M
40	NPT 1 1/2"	6.60 – 66.00	4.00 – 62.00	Aluminum	PPS	SSt 316 / 1.4401	FPM	443 997 N
40	1 1/2" ANSI 150LB flange	6.60 – 66.00	4.00 – 62.00	Aluminum	PPS	SSt 316 / 1.4401	FPM	443 998 X
50	2" ANSI 150LB flange	4.00 – 93.00	9.00 – 79.25	Aluminum	PPS	SSt 316 / 1.4401	FPM	443 999 Y

Stainless Steel Fitting Type S070 - North America

Orifice DN [mm]	Process connection	Flow rate - range		Body material	Rotor material	Shaft material	Gasket material	Item-No.
		>5 mPa s (cP) [gpm]	<5 mPa s (cP) [gpm]					
15	NPT 1/2"	0.26 – 8.00	0.80 – 6.60	SSt 316 / 1.4401	SSt 316 / 1.4401	SSt 316 / 1.4401	FPM	444 000 F
25	NPT 1"	1.60 – 32.00	2.60 – 26.00	SSt 316 / 1.4401	SSt 316 / 1.4401	SSt 316 / 1.4401	FPM	444 001 U
40	NPT 1 1/2"	6.60 – 66.00	4.00 – 62.00	SSt 316 / 1.4401	SSt 316 / 1.4401	SSt 316 / 1.4401	FPM	444 002 V
40	1 1/2" ANSI 150LB flange	6.60 – 66.00	4.00 – 62.00	SSt 316 / 1.4401	SSt 316 / 1.4401	SSt 316 / 1.4401	FPM	444 003 W
50	2" ANSI 150LB flange	4.00 – 93.00	9.00 – 79.25	SSt 316 / 1.4401	SSt 316 / 1.4401	SSt 316 / 1.4401	FPM	444 004 X

PPS Fitting Type S070 - North America

Orifice DN [mm]	Process connection	Flow rate - range		Body material	Rotor material	Shaft material	Gasket material	Item-No.
		>5 mPa s (cP) [gpm]	<5 mPa s (cP) [gpm]					
25	NPT 1"	0.80 – 18.50	2.00 – 18.50	PPS	PPS	Hastalloy C	FPM	448 662 J

Positive Displacement Flow Fitting for Indicators, Sensors, Switches, Transmitters and Controllers

Specifications - Ordering Chart for Electronics (Other Versions on Request)

Flow Sensors Type SE30

Voltage supply	Output	Electrical connection	Item-No.
12 – 30 VDC	Frequency	Cable plug 2508, PG9	423 913 D
from 8025	Frequency	Cable plug 2508, PG9	423 914 E

Flow Transmitters / Batch Controllers Type SE35

Voltage supply	Output	Electrical connection	Item-No.
12 – 30 VDC	4 20 mA, pulse	1xPG13,5	444 006 Z
12 – 30 VDC	2 x relais	2xPG13,5	434 162 P
12 – 30 VDC	4 20 mA, pulse, 2 x relais	2xPG13,5	444 007 S
12 – 30 VDC	Batch	2xPG13,5	443 360 J
115/230 VAC	4 20 mA, pulse	2xPG13,5	423 922 E
115/230 VAC	2 x relais	2xPG13,5	423 923 F
115/230 VAC	4 20 mA, pulse, 2 x relais	2xPG13,5	423 924 G
115/230 VAC	4 20 mA, pulse reed relay	2xPG13,5	423 925 H
115/230 VAC	Batch	2xPG13,5	423 926 A
12 – 30 VDC	4 20 mA, pulse	1xG1/2"	444 010 Y
12 – 30 VDC	4 20 mA, pulse, 2 x relais	2xG1/2"	444 011 M
115/230 VAC	4 20 mA, pulse	2xG1/2"	423 933 H
115/230 VAC	2 x relais	2xG1/2"	423 934 A
115/230 VAC	4 20 mA, pulse, 2 x relais	2xG1/2"	423 935 B
115/230 VAC	4 20 mA, pulse reed relay	2xG1/2"	423 936 C
115/230 VAC	Batch	2xG1/2"	423 937 D

Flow Switches Type SE32

Voltage supply	Output	Electrical connection	Item-No.
12 – 30 VDC	NPN	Cable plug 2508, PG9	436 474 J
12 – 30 VDC	PNP	Cable plug 2508, PG9	434 871 N
12 – 30 VDC	NPN and PNP	M12 plug, 5 pin	436 473 R
12 – 30 VDC	Relay	M12 + cable plug 2508, PG9	436 475 K
12 – 30 VDC	Relay	M12 plug, 5 pin + cable plug 2508	440 500 R
ASi Bus	ASi + Relay	M12 plug, 5 pin + cable plug 2508	440 501 E
12 – 30 VDC	4 20 mA ¹⁾ + Relay	M12 plug, 5 pin + cable plug 2508	444 699 C
12 – 30 VDC	NPN	Cable plug 2508, G1/2"	438 763 D
12 – 30 VDC	PNP	Cable plug 2508, G1/2"	438 687 S
12 – 30 VDC	Relay	M12 + cable plug 2508, G1/2"	438 764 E
12 – 30 VDC	Relay	M12 plug, 5 pin + cable plug 2508	440 725 D
ASi Bus	ASi + Relay	M12 plug, 5 pin + cable plug 2508	440 724 C
12 – 30 VDC	4 20 mA ¹⁾ + Relay	M12 plug, 5 pin + cable plug 2508	444 700 R

¹⁾ Process value

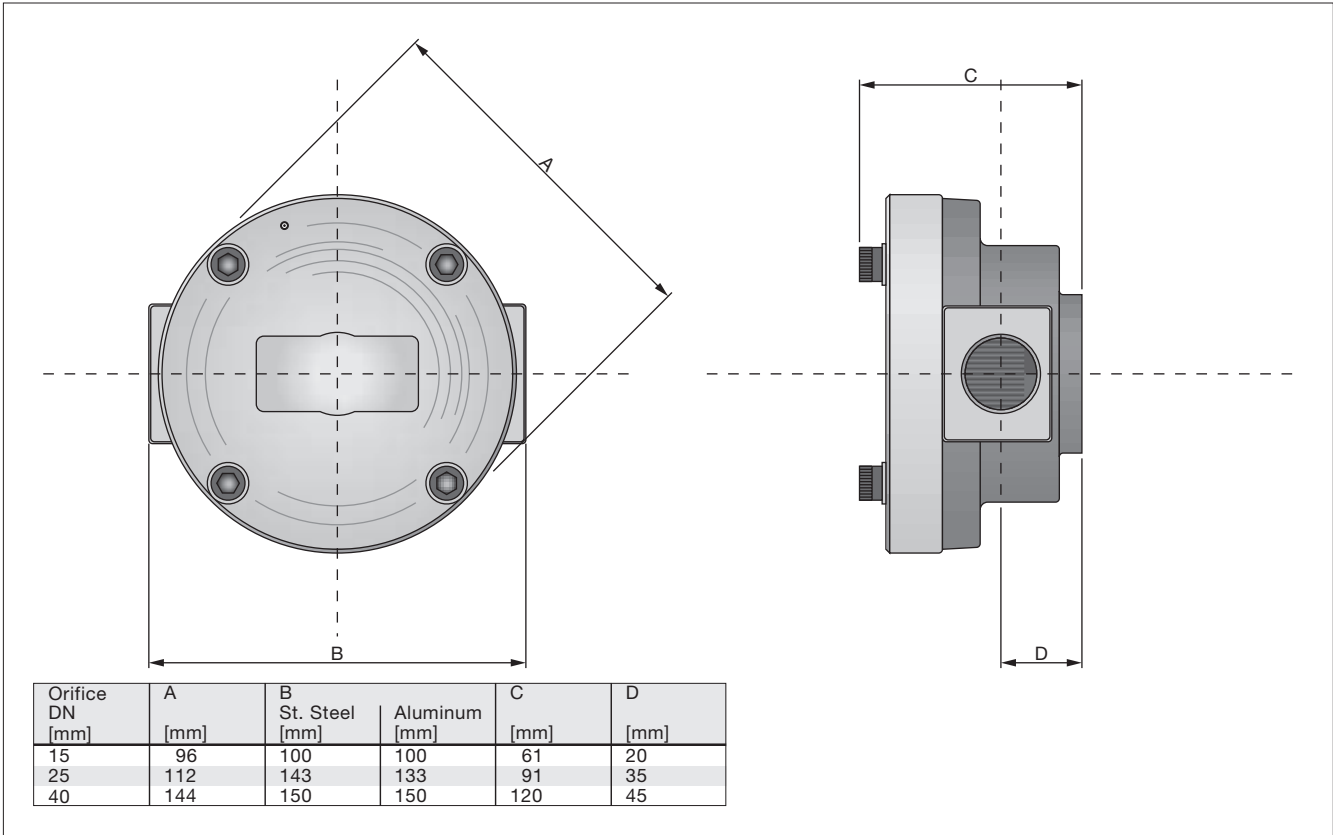
Accessories

Description	Item-No.
M12 5 pins female cable connector with plastic threaded locking ring	917 116 D
M12 5 pins female connector moulded on cable (2 m, shielded)	438 680 F

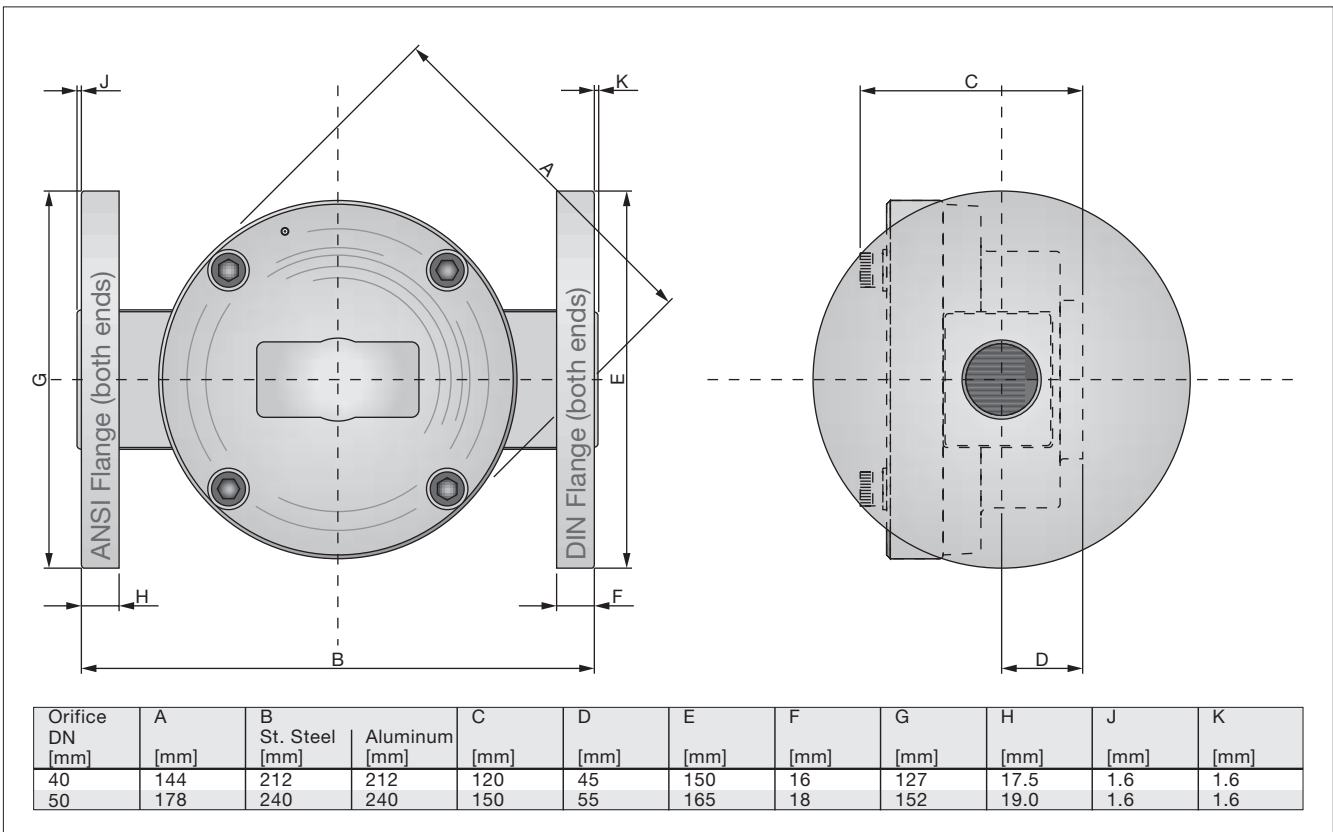
Has to be ordered separately

Positive Displacement Flow Fitting for Indicators, Sensors, Switches, Transmitters and Controllers

Dimensions [mm] Type S070 Threaded



Dimensions [mm] Type S070 Flanged



In case of special application requirements, please consult for advice.

We reserve the right to make technical changes without notice.
203-GB/ 1-0263