

SERIES EE 61

TRANSMITTERS FOR AIR VELOCITY

The EE61 transmitters are designed for the exact measurement of air velocity (mass flow).

A directional independence over a wide range enables simple and cost-effective installation, smallest dust sensitivity and highest flexibility are only some of the special features of this instrument.

The measuring method is based on the hot film anemometer principle, using special thin film sensor elements developed by E + E ELEKTRONIK for the automotive industry.

All elements required for evaluation and linearisation are integrated within the housing. By simply changing a jumper it is possible to adjust the working range, the analogue output and the response time to your application requirements.

Output signal: voltage 0 - 10 V or current 4 - 20 mA

Working range: 0 ... 5, 0 ... 10 or 0 ... 20 m/s

Response time t_{90} : 2 seconds or 0.2 seconds

There are different housings available, either for duct mounting applications as well as with separated sensor probe.

The transmitters can be supplied with a local LC-display on the housing cover, which shows the actual measurement readings. However it has to be noticed, that in this case the output signal is limited to 0-10 V and the preferred working range of air velocity has to be set to a fixed range.



Typical applications:

- HVAC
- clean room control
- process and environmental control

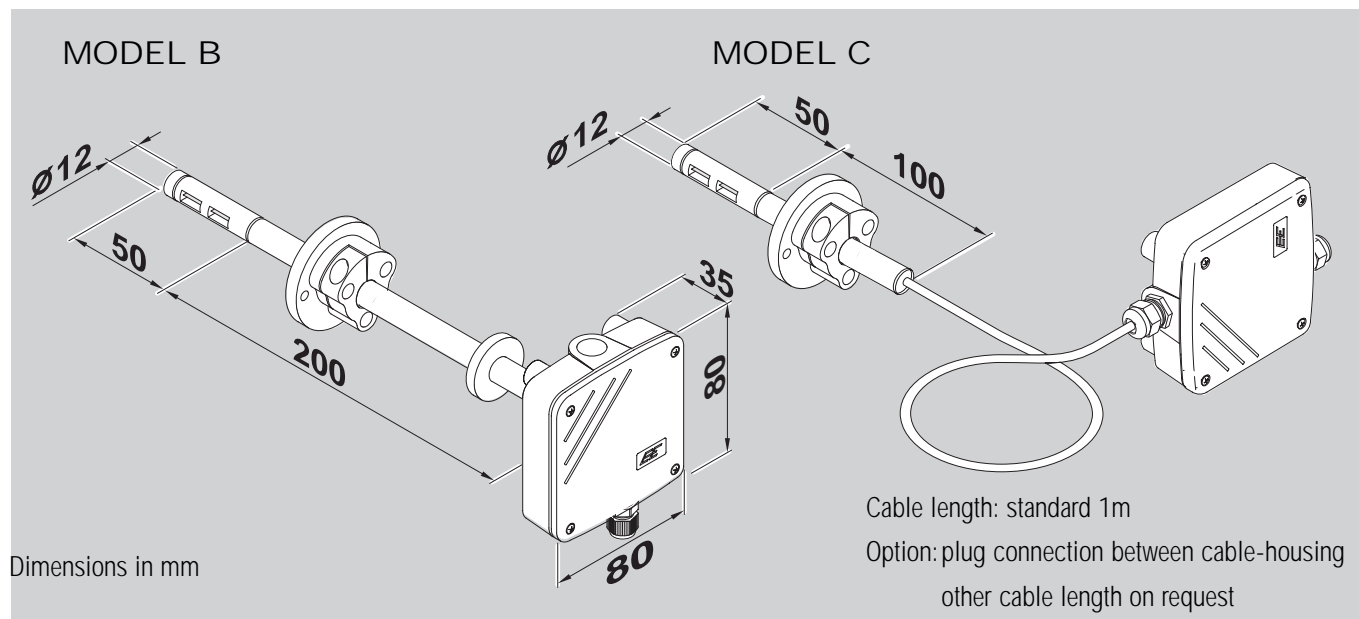
TECHNICAL DATA

Working range air velocity ¹⁾	0 ... 5 m/s 0 ... 10 m/s 0 ... 20 m/s	
Output signal ¹⁾	0 - 10 V $I_t < 1.0$ mA 4 - 20 mA $R_i < 500$ Ohm	(linear, 3 wires)
Accuracy air velocity at 20 degC, 45% RH, 1013 hPa	working range 0 ... 5 m/s 0 ... 10 m/s 0 ... 20 m/s	$\pm (0.1 \text{ m/s} + 3\% \text{ of value})$ $\pm (0.3 \text{ m/s} + 3\% \text{ of value})$ $\pm (0.3 \text{ m/s} + 4\% \text{ of value})$
Power Supply	SELV 24V AC/DC $\pm 10\%$, max. 150 mA	
Response time t_{90} at 10 m/s ¹⁾	typ. 2 seconds or typ 0.2 seconds	
Angular dependence at 10 m/s	$< 0.3 \text{ m/s}$ at $ \Delta\alpha < 10 \text{ deg}$	
Connection	screw terminals max. 1.5mm ²	
Electromagnetic compatibility	according to	EN 50081-1 EN 50082-2
Housing material protection class	ABS standard: IP65 / with LC-display: IP40	
Temperature range	working temperature storage temperature	-10 ... 50 degC -30 ... 60 degC



¹⁾ Selectable by setting a jumper

HOUSING



ORDER INFORMATION

SERIES	
EE 61	
	CODE 1 MODEL
	V velocity
	CODE 3 MODEL
	B duct mounting
	C separated sensor probe
	CODE 4 PROBE LENGTH
	3 100 mm
	5 200 mm
	X others



INGENIEROS ASOCIADOS DE CONTROL S.L.

Tel.: 913831390
comercial@iac-sl.es