

Pressure Gauges

Service intended

All stainless steel pressure gauge.
 Suitable for corrosive environments and gaseous media.

Design

EN 837-3

Nominal size

63, 100 and 160 mm

Accuracy class per EN 837-3 /6

1.6

Scale ranges per EN 837-3 /5

63 mm: 0 ... 40 to 0 ... 600 mbar

100 mm: 0 ... 16 to 0 ... 600 mbar

160 mm: 0 ... 2.5 to 0 ... 600 mbar

or other equivalent units of pressure or vacuum.

Working pressure

Steady: full scale value

Fluctuating: 0.9 x full scale value

Operating temperature

Ambient: -20 ... +60 °C

Medium: +100 °C maximum

Temperature effect

When temperature of the pressure element deviates from
 reference temperature (+20 °C):

max. $\pm 0.6\%/10$ K of true scale value

Ingress protection

IP 54 per EN 60 529 / IEC 529

Standard features

Pressure connection

Material: stainless steel 1.4571

Threaded entry (radial or back) per EN 837-3 /7.3

63 mm: G ¼ B (male), 14 mm flats

100, 160 mm: G ½ B (male), 22 mm flats

Pressure element

Material: stainless steel 1.4571

Sealing ring

FPM (Viton)

Movement

Material: stainless steel

Zero adjustment

Through window



Dial

White aluminium with black lettering

Pointer

Black aluminium pointer

Case

Natural finish stainless steel

Window

Laminated safety glass

Bezel ring

Cam ring (bayonet type), natural finish stainless steel

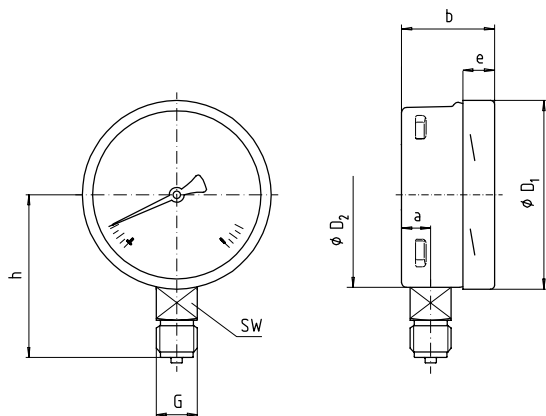
Optional extras

- Other pressure connection
- Accuracy class higher, class 1.0
- Overpressure and vacuum safety
 - 3 x with scale ranges ≤ 25 mbar
 - 10 x with scale ranges > 25 mbar
- 3-hole panel or surface mounting flange
- Narrow panel ring with clamp
- 100 and 160 mm: scale ranges ≥ 100 mbar with liquid filling (**Model 633.50**)

Dimensions

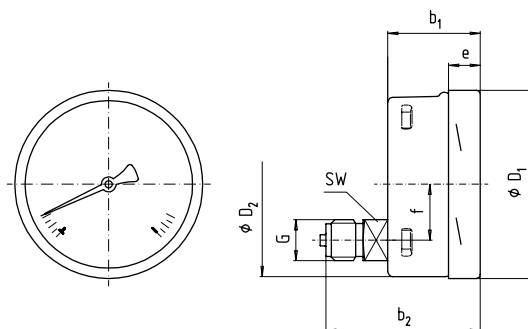
Standard version

NS 100, radial bottom pressure entry



1520 857.01

NS 100, lower back pressure entry



1520 865.01

Nominal size	Dimensions [mm]											Weight [kg]
	a	b	b ₁	b ₂	D ₁	D ₂	e	f	G	h ± 1	SW	
63	9	42	42	63	64	62	22	1)	G ¼ B	52	14	0.19
100	15.5	49.5	49.5	83	101	99	17.5	30	G ½ B	87	22	0.60
160	15.5	49.5	49.5	83	161	159	17.5	50	G ½ B	118	22	1.10

Standard pressure entry with parallel thread and seating to EN 837-3 / 7.3.

1) Centre back pressure entry

Ordering information

State:

Model / Nominal size / Scale range / Size and location of connection / Optional extras required



INGENIEROS ASOCIADOS DE CONTROL S.L.
Telf.: 913831390
comercial@iac-st.es