

Differential Pressure Gauges

With Bourdon Tube Element. Horizontal In-Line Entry • Model 712.21

Pressure Gauges

Service intended

Measurement of pressure differential of 2 pressures applied.
Suitable for all gaseous and liquid media that will not obstruct the pressure system or attack copper alloy parts.

Design

2 independent bourdon tube pressure elements,
Pressure entries in-line

Nominal size

100 mm

Accuracy class per EN 837-1 /6

2.5

Scale ranges per EN 837-1 /5

0 ... 4 to 0 ... 25 bar

or other equivalent units of pressure or vacuum.

Scale ranges must be selected in consideration of the highest static pressure applied. The pressure differential to be indicated should be no less than $\frac{1}{6}$ of the full scale range.

When ordering please state both the static pressure applied and the differential to be indicated.

Working pressure

Steady: full scale value

Fluctuating: 0.9 x full scale value

Operating temperature

Ambient: -20 ... +60 °C

Medium: +60 °C maximum

Temperature error

Additional error when temperature of the pressure element deviates from +20 °C

Rising temperature: +0.4%/10 K of true scale value

Falling temperature: -0.4%/10 K of true scale value

Degree of protection

IP 54 per EN 60 529 / IEC 529

Standard features

Pressure connection

Radial in-line entry only

Material: Cu-alloy

Threaded entry per EN 837-1 /7.3, 22 mm flats

2 x G $\frac{1}{2}$ B (male) identified ⊕ and ⊖

Pressure element

Cu-alloy, C-type soft soldered



Movement

Material: Cu-alloy, wear parts argentan

Dial

White aluminium with black lettering

2nd innerscale, black, unit: mWS

Pointer

Material: Aluminium

⊕ side black, ⊖ side red

Case

Black finish steel case

Window

Instrument glass

Bezel ring

Cam ring (bayonet type), stainless steel

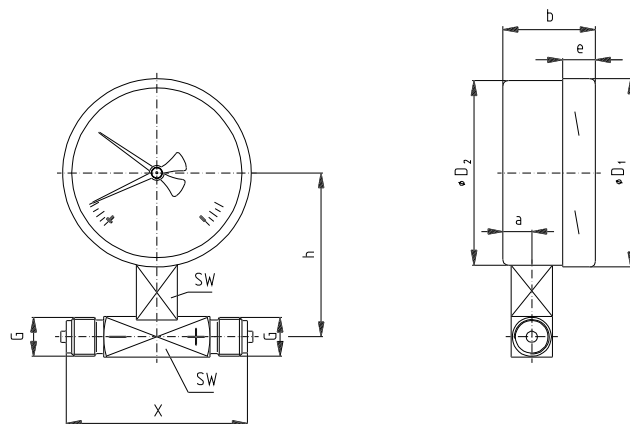
Optional extras

- Case stainless steel

- Panel or surface mounting rings

Dimensions

Standard version



1268 465

Nominal size	Dimensions [mm]									Weight [kg]
	a	b	D ₁	D ₂	e	G	h ± 1	X	SW	
100	15.5	49.5	101	99	17.5	G ½ B	88	97	22	0.9

Standard pressure entry with parallel thread and seating to EN 837-1 /7.3

Ordering information

Model / Nominal size / Scale range / Size of connection / Maximum static pressure rating ... bar / Maximum pressure differential / Optional extras required

Specifications and dimensions given in this leaflet represent the state of engineering at the time of printing. Modifications may take place and materials specified may be replaced by others without prior notice.



INGENIEROS ASOCIADOS DE CONTROL S.L.
Telf.: 91 3831380
comercial@iac-si.es