

3/2 and 5/2-Way Valves; Pilot-Operated;
G 1/4; Flow Rate: 1300 l/min



Advantages / Benefits

- ▶ **EEx-m-II T5 and T6 or EEx-me-II T5 and T6 approval**
- ▶ **Functions 3/2 and 5/2-way in one valve**
- ▶ **High flow rates**
- ▶ **Maintenance-free and no wear due to high level dry run properties**
- ▶ **High switch reliability, even at full flow restriction**
- ▶ **Push-over coil in 4 x 90° turned positions lockable, any position in between**
- ▶ **Corrosion resistant stainless steel and brass threaded ports**
- ▶ **For slightly aggressive ambient and out-door applications**
- ▶ **Pilot valve for outdoor applications**

Design/Function

The Type 6519 Namur Ex is a high switch reliable valve, even at full flow restriction for plant engineering.

It is made of high quality thermoplastic and can be used, due to different mounting positions of the manifold, as 5/2 or 3/2-way valve.

The standard version is being delivered with 5/2-way function and can easily be changed into 3/2-way function by turning the manifold 180°.

The compact solenoid valve Type 6014 with push-over coil is connected as pilot. The Namur flange pattern allows easy assembly on different pneumatic actuators on the spot.

Applications

Fluids

- Compressed air and neutral gases, nitrogen and instrument air
- Technical vacuum on request

Applications

In hazardous areas
Control valves for pneumatic linear- and turned actuators preferably for:

- Food and beverage industry
- General processing industry
- Packing machine manufacturers
- Textile industry
- Tool-machine manufacturers
- Wood processing machine manufacturers



INGENIEROS ASOCIADOS DE CONTROL S.L.

Tel.: 913831390
comercial@iac-sl.es

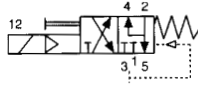
bürkert
Easy Fluid Control Solutions

Technical Data Type 6519 Namur Ex

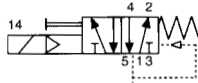
Circuit Functions

C- 3/2-way valve, servo-assisted,
with exhaust air return
in de-energized position
port 2 exhausted internally

Symbols



H- 5/2-way valve, servo-assisted,
in de-energized position
port 2 pressurized,
port 4 exhausted



Specifications Type 6519 Namur Ex (EEx-m-II T5 and T6)

Circuit Function	Orifice [in]	Flow Rate ¹⁾ QNm-valvue air [l/min]	Pressure Range ²⁾ [PSI]	Supply Port Connection 1 and 3	Service Port Connection 2 and 4
with molded-in cable or with terminal box					
H/C (3/2 and 5/2)	1/4"	1300	28-115	G 1/4	Namur flange pattern"/"
H/C (3/2 and 5/2)	1/4"	1300	28-115	G 1/4	Namur flange pattern

¹⁾ Measured at 85 PSI input pressure and 14.5 PSI pressure drop at the valve and at +68°F

²⁾ All pressure data as overpressure to ambient atmospheric pressure.

Valve Specifications

Valve body	Polyamide (PA)
Threaded port material	Brass (nickled) or Stainless Steel
Sealing material	NBR and PUR
Media	Lubricated or unlubricated compressed air, neutral gases, nitrogen, instrument air
Media temperature	14°F to 140°F
Ambient temperature	14°F to 140°F
Response times ³⁾	
Open (On)	20 ms
Close (Off)	40 ms
Port connections	
Supply ports 1 and 3	Threaded port G 1/4
Service ports 2 and 4	Namur flange

³⁾ Measured at connection 2; time from electrical switching to pressure increase to 90% (opening) or pressure drop to 10% (closing) of operational pressure (85 PSI).

Solenoid Specifications

Operating voltage	24 V UC 110 V UC 230 V UC						
Voltage tolerance	±10%						
Electrical							
power consumption	<table border="1"> <tr> <td>T5</td> <td>3.0 W</td> <td>32 mm</td> </tr> <tr> <td>T6</td> <td>1.8 W</td> <td>40 mm</td> </tr> </table>	T5	3.0 W	32 mm	T6	1.8 W	40 mm
T5	3.0 W	32 mm					
T6	1.8 W	40 mm					
Duty cycle	100% continuously rated						
Electr. connection	<ul style="list-style-type: none"> • 3 m cable, molded-in • Terminal box 						
Rating	NEMA 4 (IP 65)						
Ex-approval	<ul style="list-style-type: none"> • EEx-m-II T5 and T6 (molded-in cable) • EEx-me-II T5 and T6 (with terminal box) 						

Installation

Mounting position	any, preferably solenoid system upright
-------------------	---

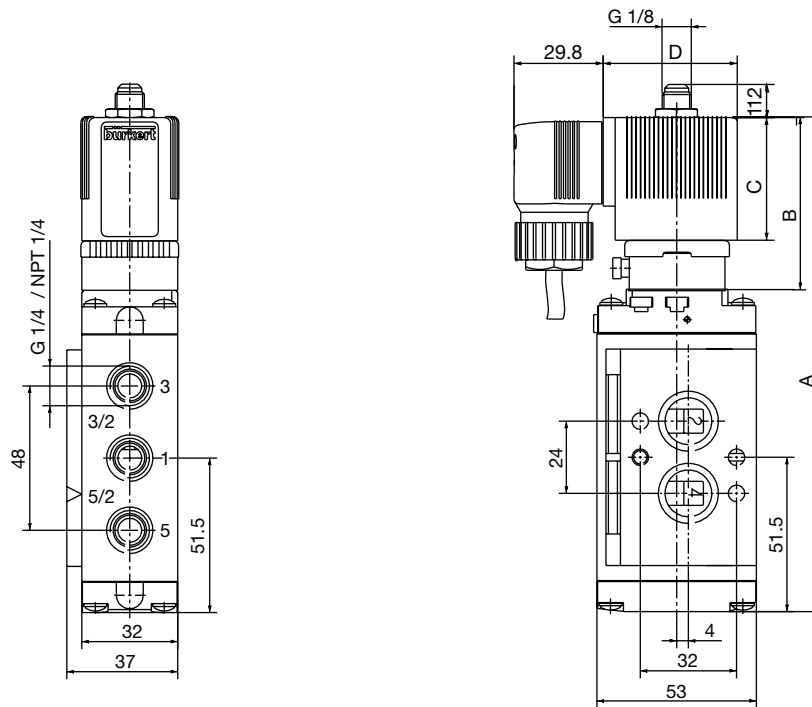
Solenoid Valve - Pilot Operated

With NAMUR Flange Pattern

Dimensions [mm]

Type 6519 Namur Ex with molded-in cable (118 in.)

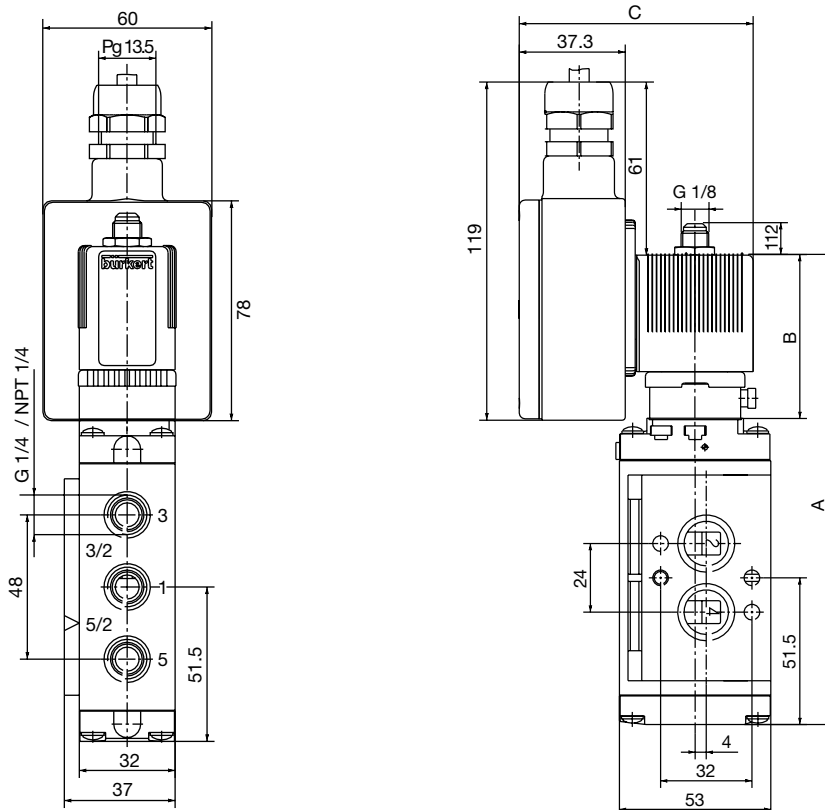
Pilot valve Type 6014 with push-over coil in 4 x 90° turned positions lockable and in between, any position possible



	A	B	C	D
T5 coil	164.5	57.5	41.0	45.0
T6 coil	164.9	57.9	41.4	51.0

Type 6519 Namur Ex with terminal box

Pilot valve Type 6014 with push-over coil in 4 x 90° turned positions lockable and in between, any position possible



	A	B	C
T5 coil	164.5	57.5	82
T6 coil	164.9	57.9	88

Solenoid Valve - Pilot Operated

With NAMUR Flange Pattern



Type 6519
NAMUR

Ordering Chart Type 6519 Namur Ex (other versions on request)

Circuit Function	Supply Port Connection	Service Port Connection	Material Port Connection	Orifice [in]	Pressure Range [PSI]	Body Material	Seal Material	Ex Approval	Item No.			
									024/UC	110/UC	230/UC	
with molded-in cable												
H/C	G 1/4	Namur flange	brass (nickled)	1/4"	28-115	PA	NBR+PUR	EEx-m-II T5	131 627 R	131 628 S	131 629 T	
H/C	G 1/4	pattern	SS	1/4"	28-115	PA	NBR+PUR	EEx-m-II T5	131 631 M	131 632 N	131 633 P	
with terminal box												
H/C	G 1/4	Namur flange	brass (nickled)	1/4"	28-115	PA	NBR+PUR	EEx-me-II T5	427 978 S	139 065 Z	139 066 S	
H/C	G 1/4	pattern	SS	1/4"	28-115	PA	NBR+PUR	EEx-me-II T5	139 067 T	139 068 C	139 069 D	
with molded-in cable												
H/C	G 1/4	Namur flange	brass (nickled)	1/4"	28-115	PA	NBR+PUR	EEx-m-II T6	425 725 J	426 026 A	426 027 B	
H/C	G 1/4	pattern	SS	1/4"	28-115	PA	NBR+PUR	EEx-m-II T6	431 442 M	431 443 N	431 444 P	
with terminal box												
H/C	G 1/4	Namur flange	brass (nickled)	1/4"	28-115	PA	NBR+PUR	EEx-me-II T6	431 436 F	431 437 G	431 438 R	
H/C	G 1/4	pattern	SS	1/4"	28-115	PA	NBR+PUR	EEx-me-II T6	431 439 J	431 440 X	431 441 L	

Ordering Chart Accessories

Accessory part	Characteristics	Item No.
Blanking screw	G 1/8	780 141 H
Blanking screw	G 1/4	780 142 A
Blanking screw	G 1/2	780 144 C
Silencer	G 1/8	005 305 D
Silencer	G 1/4	005 064 W
Silencer	G 1/2	005 062 U
Indicating tag	64 pieces	635 416 P



INGENIEROS ASOCIADOS DE CONTROL S.L.

Tel: 913831390
comercial@iac-sl.es