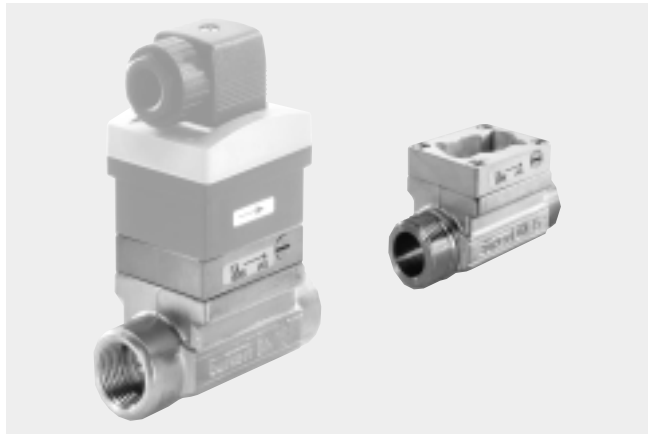


Brass, INLINE "Turn & Lock"



Advantages/Benefits

- ▶ **ON/OFF Control System for Monitoring and Switching in Combination with SE10 unit**
- ▶ **No Leakage due to Single Paddle (Flipper) inside the fitting (INLINE Quarter-Turn Technology)**
- ▶ **Contact Free Switching of Reed Contact by Magnetic Transmission**

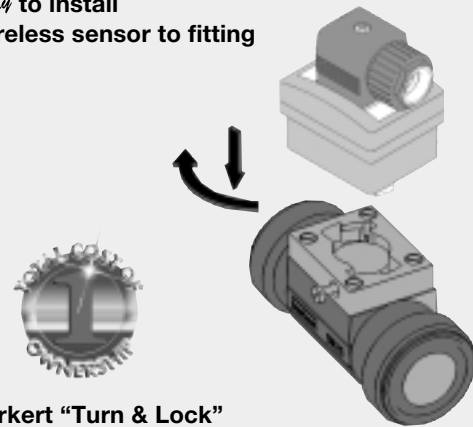
The Type SO10 fitting has a single, built-in paddle (flipper) to detect the flow. The result is leak-proof construction, called INLINE "Turn & Lock" Technology.

The switching point is transmitted contact free by a magnetic field. The SE10 detecting unit can be snapped-on or removed without opening the process pipe. The switching point can be set on the unit SE10.

Process Specifications

Pipe diameter	1/2" up to 2"		
Temperatures			
Ambient	32 up to 131°F (0 up to 55° C)		
Storage	32 up to 131°F (0 up to 55° C)		
Fluid	32 up to 131°F (0 up to 55° C)		
Materials			
Seal	FPM (Viton) (standard) EPDM (on request)		
Fitting	Brass		
Screws	316L Stainless Steel		
Pressure class	230 PSI (PN16)		
Measuring range	(see diagram)		
Paddle (range 1)	1/2"	2.13	up to 2.95 f/s
	3/4"	1.15	up to 1.80 f/s
	1"	1.31	up to 1.97 f/s
	1-1/4"	2.13	up to 2.95 f/s
	1-1/2"	2.46	up to 3.28 f/s
Paddle (range 2)	1-1/4"	0.66	up to 0.98 f/s
	1-1/2"	0.82	up to 1.48 f/s
	2"	1.64	up to 1.97 f/s

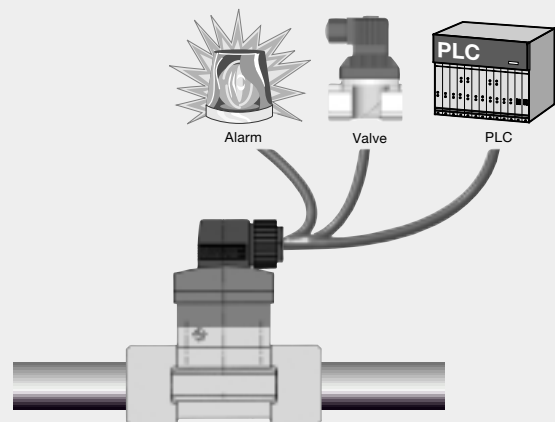
Easy to install wireless sensor to fitting



Burkert "Turn & Lock"

Application: (together with SE10)

Monitoring - Min./Max. Values



INGENIEROS ASOCIADOS DE CONTROL S.L.

Tel.: 913831390
comercial@iac-sl.es

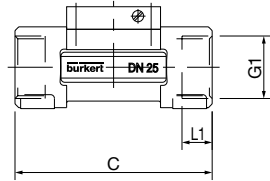


Specifications - Ordering Chart (Other Versions on Request)

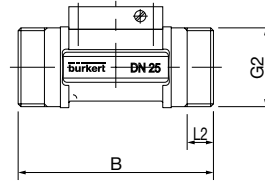
Description	Orifice DN [in]	Process Connection	Switching Range	Item No.
Brass Fitting World Wide				
• with internal threaded port connection				
Fitting with magnetic switch paddle (flipper) (PVDF) & gasket (FPM)	1/2	G 1/2	1	438 163 U
Fitting with magnetic switch paddle (flipper) (PVDF) & gasket (FPM)	3/4	G 3/4	1	438 164 V
Fitting with magnetic switch paddle (flipper) (PVDF) & gasket (FPM)	1	G 1	1	438 165 W
Fitting with magnetic switch paddle (flipper) (PVDF) & gasket (FPM)	1-1/4	G 1 1/4	1	438 166 X
Fitting with magnetic switch paddle (flipper) (PVDF) & gasket (FPM)	1-1/2	G 1 1/2	1	438 167 Y
Fitting with magnetic switch paddle (flipper) (PVDF) & gasket (FPM)	1-1/4	G 1 1/4	2	438 169 A
Fitting with magnetic switch paddle (flipper) (PVDF) & gasket (FPM)	1-1/2	G 1 1/2	2	438 170 F
Fitting with magnetic switch paddle (flipper) (PVDF) & gasket (FPM)	2	G 2	2	438 171 U
• with external threaded port connection				
Fitting with magnetic switch paddle (flipper) (PVDF) & gasket (FPM)	1/2	G 3/4	1	438 190 U
Fitting with magnetic switch paddle (flipper) (PVDF) & gasket (FPM)	3/4	G 1	1	438 191 R
Fitting with magnetic switch paddle (flipper) (PVDF) & gasket (FPM)	1	G 1 1/4	1	438 192 J
Fitting with magnetic switch paddle (flipper) (PVDF) & gasket (FPM)	1-1/4	G 1 1/2	1	438 193 K
Fitting with magnetic switch paddle (flipper) (PVDF) & gasket (FPM)	1-1/2	M55 x 2	1	438 194 L
Fitting with magnetic switch paddle (flipper) (PVDF) & gasket (FPM)	1-1/4	G 1 1/2	2	438 196 N
Fitting with magnetic switch paddle (flipper) (PVDF) & gasket (FPM)	1-1/2	M55 x 2	2	438 197 P
Fitting with magnetic switch paddle (flipper) (PVDF) & gasket (FPM)	2	M64 x 2	2	438 198 Y
Brass Fitting ASIAN				
• with internal threaded port connection				
Fitting with magnetic switch paddle (flipper) (PVDF) & gasket (FPM)	1/2	Rc 1/2	1	438 181 P
Fitting with magnetic switch paddle (flipper) (PVDF) & gasket (FPM)	3/4	Rc 3/4	1	438 182 Q
Fitting with magnetic switch paddle (flipper) (PVDF) & gasket (FPM)	1	Rc 1	1	438 183 R
Fitting with magnetic switch paddle (flipper) (PVDF) & gasket (FPM)	1-1/4	Rc 1 1/4	1	438 184 J
Fitting with magnetic switch paddle (flipper) (PVDF) & gasket (FPM)	1-1/2	Rc 1 1/2	1	438 185 K
Fitting with magnetic switch paddle (flipper) (PVDF) & gasket (FPM)	1-1/4	Rc 1 1/4	2	438 187 M
Fitting with magnetic switch paddle (flipper) (PVDF) & gasket (FPM)	1-1/2	Rc 1 1/2	2	438 188 W
Fitting with magnetic switch paddle (flipper) (PVDF) & gasket (FPM)	2	Rc 2	2	438 189 X
Brass Fitting NAFTA				
• with internal threaded port connection				
Fitting with magnetic switch paddle (flipper) (PVDF) & gasket (FPM)	1/2	NPT 1/2	1	438 172 V
Fitting with magnetic switch paddle (flipper) (PVDF) & gasket (FPM)	3/4	NPT 3/4	1	438 173 W
Fitting with magnetic switch paddle (flipper) (PVDF) & gasket (FPM)	1	NPT 1	1	438 174 X
Fitting with magnetic switch paddle (flipper) (PVDF) & gasket (FPM)	1-1/4	NPT 1 1/4	1	438 175 Y
Fitting with magnetic switch paddle (flipper) (PVDF) & gasket (FPM)	1-1/2	NPT 1 1/2	1	438 176 Z
Fitting with magnetic switch paddle (flipper) (PVDF) & gasket (FPM)	1-1/4	NPT 1 1/4	2	438 178 B
Fitting with magnetic switch paddle (flipper) (PVDF) & gasket (FPM)	1-1/2	NPT 1 1/2	2	438 179 C
Fitting with magnetic switch paddle (flipper) (PVDF) & gasket (FPM)	2	NPT 2	2	438 180 S

Dimensions [mm] for Fittings - Brass

Fitting with internal threaded port connection G, Rc and NPT Brass



Fitting with external threaded port connection Brass G



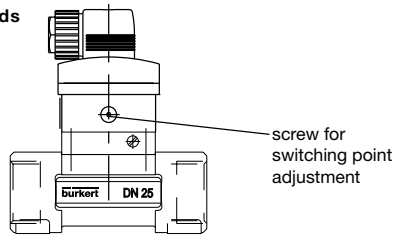
Orifice DN [mm]	Internal Threaded Port			External Threaded Port		
	C [mm]	G1	L1 [mm]	B [mm]	G2	L2 [mm]
15	85.0	G 1/2	16.0	84.0	G 3/4	11.5
15	85.0	NPT 1/2	17.0	84.0	G 3/4	11.5
15	85.0	Rc 1/2	15.0	84.0	G 3/4	11.5
20	95.0	G 3/4	17.0	94.0	G 1	13.5
20	95.0	NPT 3/4	18.3	94.0	G 1	13.5
20	95.0	Rc 3/4	16.3	94.0	G 1	13.5
25	105.0	G 1	23.5	104.0	G 1-1/4	14.0
25	105.0	NPT 1	18.0	104.0	G 1-1/4	14.0
25	105.0	Rc 1	18.0	104.0	G 1-1/4	14.0
32	120.0	G 1-1/4	23.5	119.0	G 1-1/2	18.0
32	120.0	NPT 1-1/4	21.0	119.0	G 1-1/2	18.0
32	120.0	Rc 1-1/4	21.0	119.0	G 1-1/2	18.0
40	130.0	G 1-1/2	23.5	129.0	M55 x 2	19.0
40	130.0	NPT 1-1/2	20.0	129.0	M55 x 2	19.0
40	130.0	Rc 1-1/2	19.0	129.0	M55 x 2	19.0
50	150.0	G 2	27.5	149.0	M64 x 2	20.0
50	150.0	NPT 2	24.0	149.0	M64 x 2	20.0
50	150.0	Rc 2	24.0	149.0	M64 x 2	20.0

Example of Type 8010 with internal threaded port connection (SO10 + SE10)



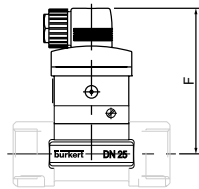
Dimensions [mm] for Fittings with Magnetic Sensor Paddle (Flipper) - Brass

Example:
Fitting with weld ends and SE10



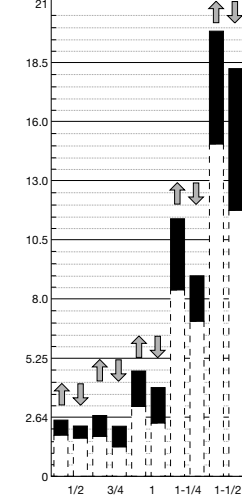
Orifice DN [in]	Dimensions F [mm]
1/2	100.0
3/4	97.0
1	97.0
1-1/4	101.0
1-1/2	105.0
2	111.0

F = Center to Top

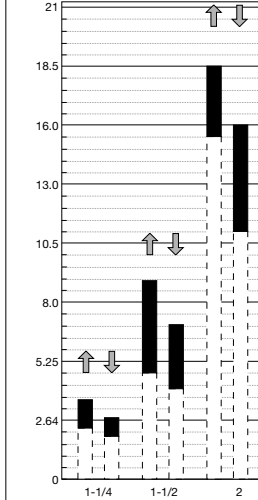


Switching Range Table for Fitting Brass

Switching Range 1
Q (gal/min)



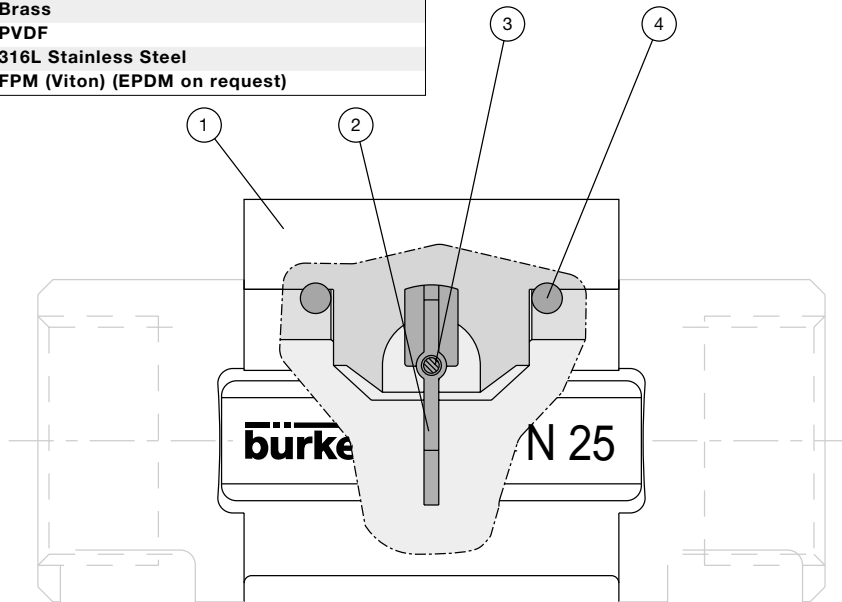
Switching Range 2
Q (gal/min)



Inner Materials of all Brass Fittings

Fitting with internal threaded port connection

1.	Body	Brass
2.	Paddle	PVDF
3.	Shaft	316L Stainless Steel
4.	O-Ring	FPM (Viton) (EPDM on request)



INGENIEROS ASOCIADOS DE CONTROL S.L.

Tel.: 913831390
comercial@iac-sl.es