

TOP Control ON/OFF HEAD for Pneumatically Actuated Process Valves



8631 EExi

Intrinsically Safe Control Head

- ✓ **PTB EEx ia IIC T6 approved according to ATEX**
- ✓ **FM IS / I, II, III / ABCDEFG approved**
- ✓ **Compact Design**
- ✓ **Reduced Total Cost of Ownership**

Picture showing a complete Burkert ON/OFF System using Type 8631 TOP Control EExi

The TOP Control EExi combines pilot valve and position feedback in a compact design for use in hazardous areas.

Due to its modular design, the TOP Control EExi can easily be mounted onto a wide variety of process valves.

The compact design reduces installation and commissioning costs to a minimum.

Technical Data

Materials

Body	PPE/PA (NORYL®)
Cover	PSU
Seals	NBR, EPDM

Nominal voltage

24V/DC
(for further information also consult our data sheet „Recommended Barriers“)

Power consumption

Single acting 24V / 2W

Position feedback

24V/DC version Inductive limit switch (NO, PNP)

(±10% residual ripple)

Electrical connections

PG cable glands

Rating

IP65

Pneumatic Data

Port connections

G 1/4
Rc 1/4 (on request)
NPT 1/4 (on request)
3 up to 7 bar*
100 NI/min pilot valve

Pressure range

Flow QNn

Temperatures

Medium 0 up to +50°C
Ambient 0 up to +50°C

Medium

Instrument air
(Class 3, DIN ISO 8573-1)

Flow rate: QNn-value air [l/min]
Measured at +20°C, 6 bar pressure at valve inlet, 1 bar pressure difference.

Pressure ranges (bar)
Measured as overpressure to the atmospheric pressure

*) Applied supply pressure must be 0.5 to 1 bar above the pilot pressure of the valve actuator.

Hazardous Areas

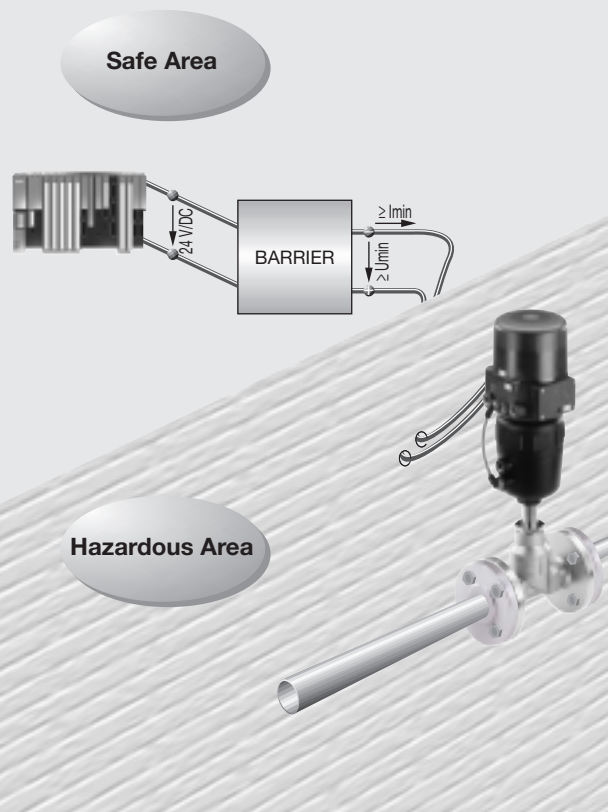
8631 EExi



INGENIEROS ASOCIADOS DE CONTROL S.L.

Tel.: 913831390
comercial@iac-sl.es

- Applications:**
- Chemical industry
 - Pharmaceutical processing equipment
 - Industrial waste water treatment
 - Oil and gas industry



TOP Control ON/OFF HEAD for Pneumatically Actuated Process Valves



Specifications - Ordering Chart (Other Versions on Request) for Type 8631 EExi

Control Function	Power Supply	Position Feedback	Electrical Connection	Item-No.
Single acting	24 V/DC	Inductive	PG cable glands	147 958 D

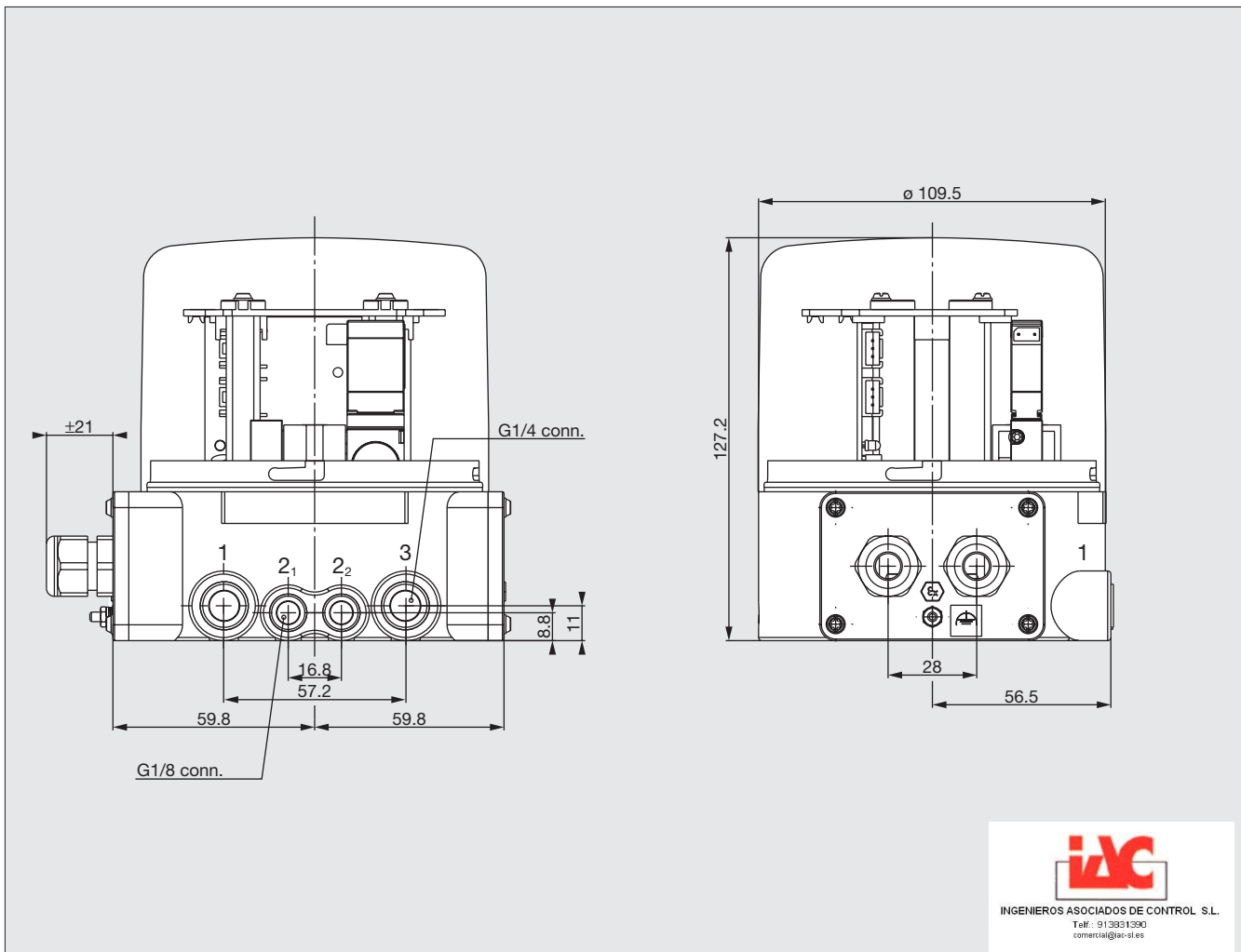
TOP Control EExi Systems

A TOP Control System consists of a process valve and a TOP controller. Burkert offers a wide range of process valves suitable for the TOP Control, including type 2000, 2001, 2002, 2012, 2030, 2031, 2652, 2655 and 2658.

Example for Variations of TOP Control ON/OFF Systems

	+		=	Complete TOP Control ON/OFF Systems			
TOP Control		Process Valve					
8631 EExi TOP Control EExi		Process Valve		8631 EExi + 2000 TOP Control Angle Seat Valve System	8631 EExi + 2012 TOP Control Globe Valve System	8631 EExi + 2030/31 TOP Control Diaphragm Valve System	8631 EExi + 2655 TOP Control Ball Valve System

Dimensions [mm]



In case of special application requirements, please consult for advice.

We reserve the right to make technical changes without notice.
203-GB/ 1-0264

8631 EExi Hazardous Areas