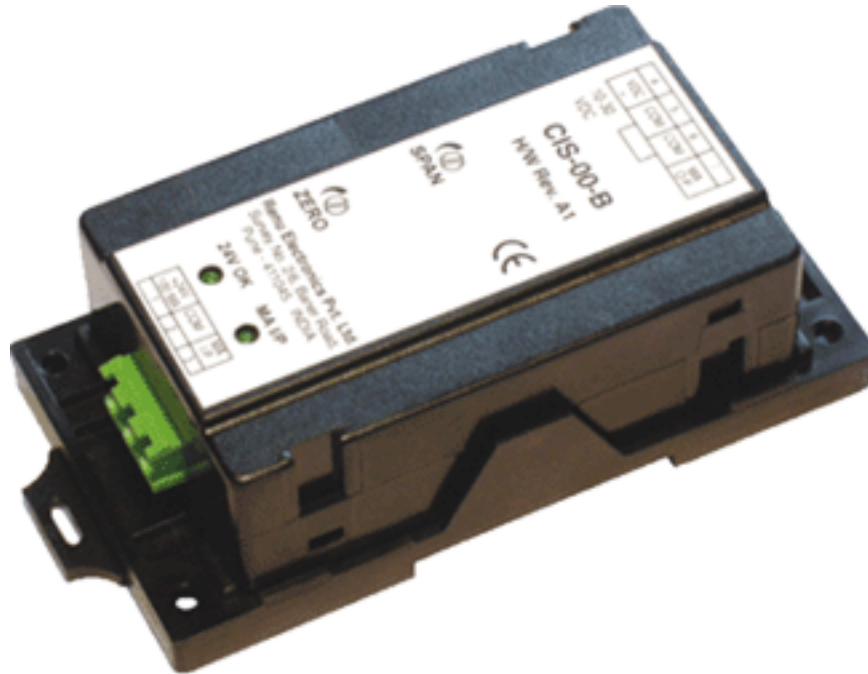


# ● Current Isolator



CIS-00-B

## Current Isolator featuring:

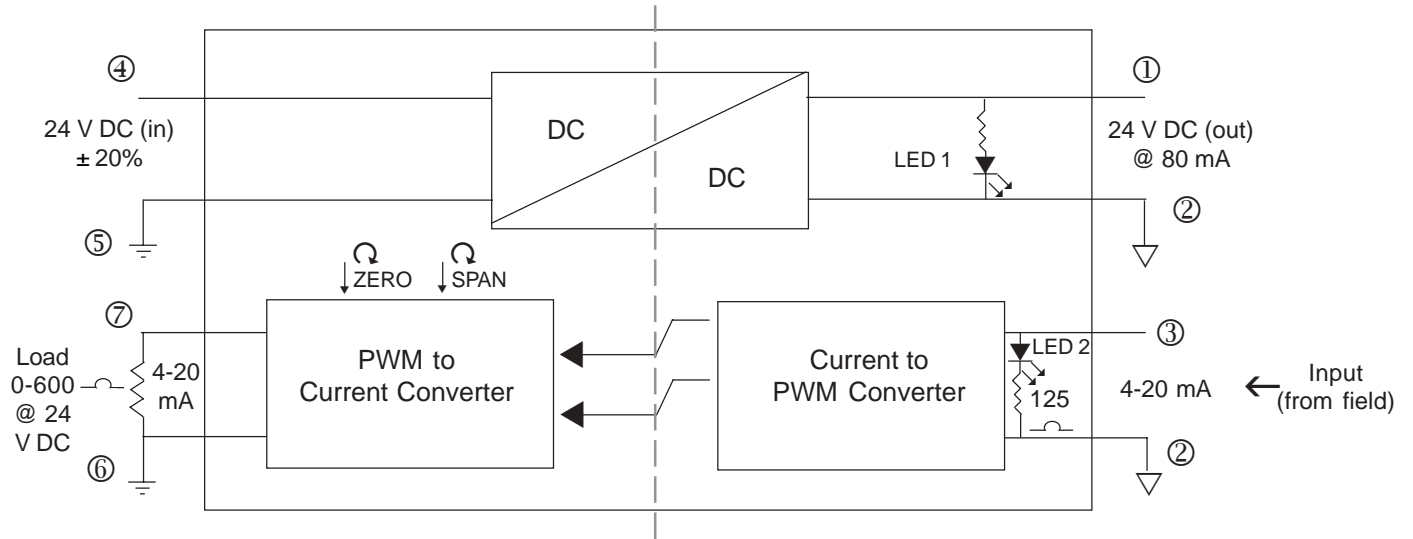
- ▶ DIN Rail or Panel Mounted compact Current Isolator
- ▶ Isolated Input, Output and Power Supply (3 Port Isolation)
- ▶ 4-20 mA Input
- ▶ 4-20 mA isolated output
- ▶ Output zero and span set by use of potentiometer
- ▶ Additional isolated 24 V DC power source for loop powering

The CIS-00 from Renu Electronics provides an isolated 4-20 mA output proportional to a 0-20 mA / 4-20 mA / 1-5 V DC / 1-10 V DC input. It is used when the load needs to be isolated from the current source in various applications. In addition to the current isolation the CIS-00 also provides isolated + 24 V DC for powering the loop.

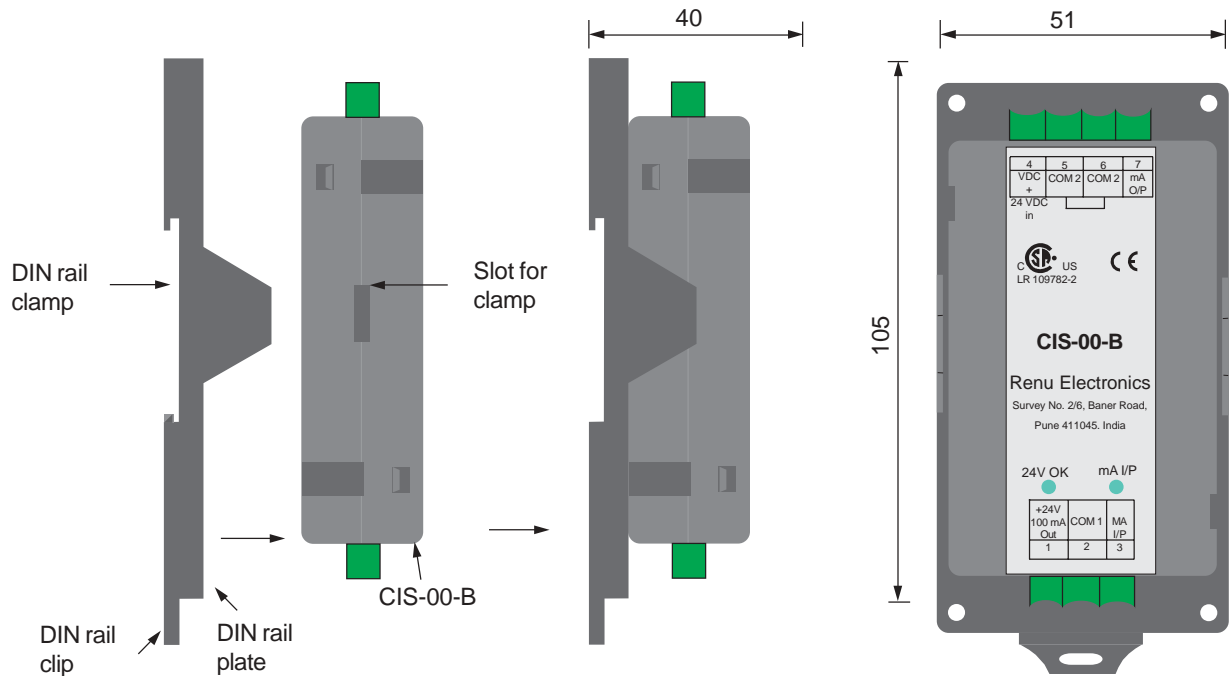
## Specifications:

Power Supply	: + 24 V DC $\pm$ 20% @ 250mA	Input / output Isolation	: 1500 VDC minimum
Current Input	: 0- 20mA or 4-20 mA	Output load	: 750 Ohm max @ 24 V DC
Terminal	: Detachable (Suitable for 2.5 mm size)	Operating temperature	: -20 to 60 degree C
Current Output	: 4 - 20mA (Isolated)	Storage temperature	: -25 to 85 degree C
Output Power	: + 24 V DC @ 100mA max	Operating humidity	: 15% - 90% Non-Condensing
LED 1	: Light when 24 V DC Output is within range	Unit dimensions	: 75mm x 46mm x 24mm
LED 2	: Glow proportional to current input	Unit color	: Black
Accuracy	: 0.25% of full scale	Mounting	: DIN rail mounting
Linearity	: 0.04%	Immunity	: As per EN50052-2
		Emission	: As per CISPR EN 55011
		Input Power Protection	: Automatically Resetable Fuse

# Block Diagram



# Dimensions



INGENIEROS ASOCIADOS DE CONTROL, S.L.

Avda. Manoteras, 22 - planta 3ª, nave 108  
28050 MADRID  
Tlf. 34 91.383.13.90 - Fax. 34 91.383.12.33  
www.iac-sl.es // comercial@iac-sl.es