

Resistive Touch Screen Operator Interface featuring,

- ▶ 5.7"QVGA (320 x 240 Pixels) Monochrome (16 Graey Scales) Graphical Display
- ▶ Three Communication Ports:
Two universal serial ports to connect PLC / Printer / Programming Port
One ethernet port to connect PLC / Programming Port / Remote monitoring
- ▶ Multilanguage (Unicode) support with Windows® fonts
- ▶ Direct connection to most controller families including Modbus RTU
- ▶ Upto 65535 user definable screens (full size) or pop-up windows (partial size)
- ▶ Real Time clock
- ▶ Wizards for rapid application development of standard bitmapped objects
- ▶ Real Time and Historical alarms
- ▶ Real time and Historical trending.
- ▶ Data logging
- ▶ Recipes support
- ▶ Backlight screen saver
- ▶ Windows® based programming softwareFREE!!
- ▶ IP65 design, CE / CSA / UL certification

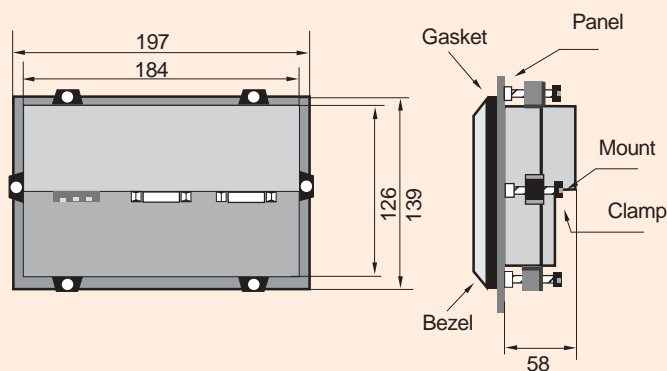
Specifications

Power	:	+ 24V DC \pm 10%, 10 W max.
Bezel	:	IP 65 rated Touch Screen
Operating Temperature *	:	0°C to 50°C
Storage Temperature	:	-20°C to 80°C
Touch Screen	:	Analog resistive type
Humidity	:	10% to 90% (Non-Condensing)
Communication Ports	:	Two serial ports. PLC port for connecting to a PLC. Second port for programming of Prizm, connecting to a serial printer, a third party device and another PLC or drive.

Immunity to ESD	:	Level 3 as per IEC1000-4-2
Immunity to Transients	:	Level 3 as per IEC1000-4-4
Immunity to Radiated RF	:	Level 3 as per IEC1000-4-3
Immunity to Conducted RF	:	Level 3 as per IEC1000-4-6
Emissions	:	EN55011 CISPR A
In-Rush Current	:	1 A

Dimensions

All dimensions are



Ordering Options

Example: PZM-285-24-G

Model

Gray Case

Units are also available with Black case. Replace suffix 'G' by 'B' in unit part number for Black case.

Standard Objects

Prizm285 supports different types of objects that can be defined on the screen. Partial list of objects is as mentioned below:

Text

User can define messages, alarms in simple text format. Four selectable font sizes are available for simple text objects (1x, 1.5x, 2x and 4x). Alarm objects can show alarm text, ON / OFF text, status etc.

Fonts

True type fonts are supported in Prizm. User can now, use Windows® fonts as well as Prizm fonts for text messages.

Lamps

Different types of lamps are provided in Prizm set up software to show conditions like alarms, go, no-go, ON, OFF etc. User defined images are possible for lamps.

Analog Meters

Multiple analog meters are made available in prizm setup software for graphical representation of parameters such as speed, level, temperature, electrical parameters etc. These analog meters can have different user defined scales.

Vector Graphics

Different vector graphics such as rectangle, ellipse, lines, circle, etc are available for users to design graphic screens.

Buttons

Various types of buttons are provided in prizm setup software required for different applications. Tasks can be assigned to these buttons such as wizard control, alarm management etc.

Bargraphs

Prizm Touch Panels support different types of bargraphs like, top to bottom, bottom to top, left to right and right to left to denote parameters such as temperature, pressure, level etc. Multiple bargraphs are possible on one screen.

Pop-up Screens / Keypads

Prizm Touch Panels come with pop-up keypads such as numeric keypad which optimizes the use of Prizm display.

Bitmaps

Different bitmaps can be embedded on the Prizm screen. Transparent buttons can be used for data entry and set points on bitmap images.

More objects are being added. Contact factory for details.



INGENIEROS ASOCIADOS DE CONTROL, S.L.

Avda. Manoteras, 22 - planta 3ª, nave 108
28050 MADRID
Tlf. 34 91.383.13.90 - Fax: 34 91.383.12.33
www.iac-sl.es // comercial@iac-sl.es